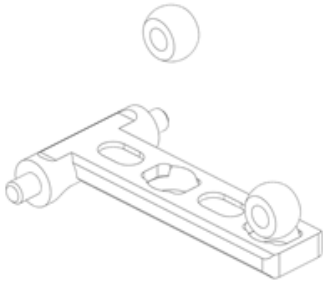
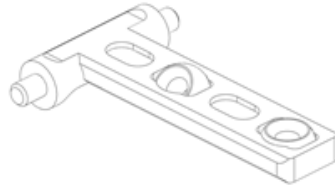


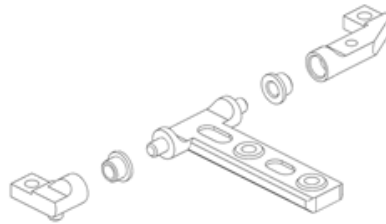
Gimbals Conversion Kit for MR3300 V5 Motor Mount



Insert both Delrin Balls vertically as pictured into the oval slot

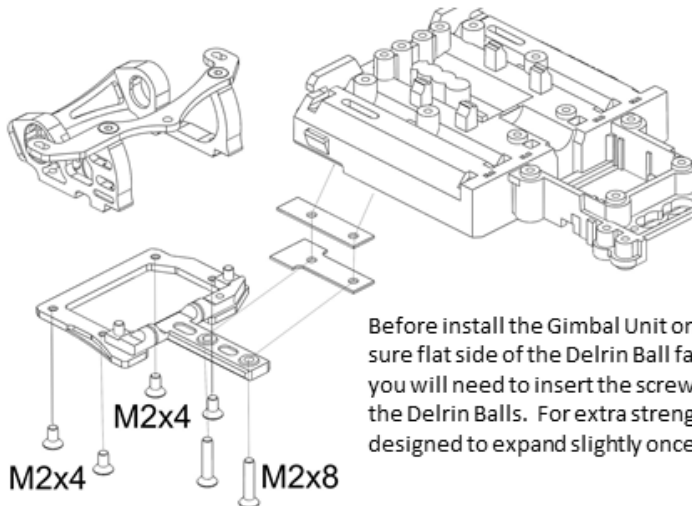
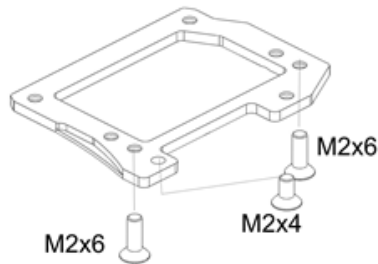


Turn the Delrin Balls until the countersunk side faces up, the flat side of the Delrin Balls should face down in the current orientation



Packing comes with

- 1 x Motor Mount Lower Plate
- 1 x Gimbals T-Mount (Black)
- 2 x Delrin Ball
- 2 x Delrin Brushing
- 1 x Left Lower Holder
- 1 x Right Lower Holder
- 1 x M2x4 Countersunk Screw
- 2 x M2x6 Countersunk Screw
- 2 x M2x8 Countersunk Screw



Before install the Gimbal Unit onto your chassis, please make sure flat side of the Delrin Ball faces the bottom of the chassis as you will need to insert the screws thru the countersunk side of the Delrin Balls. For extra strength, these Delrin Balls are designed to expand slightly once the screws are tightened.

Requires

- MR3300 PN Racing Mini-Z V5 LCG 98mm Motor Mount
- MR3300G Mini-Z Tri Damper System Conversion Kit for MR3300 V5 Motor Mount
- MR2161 PN Racing Mini-Z MR015/02 Dual Spring Center Shock Set
- MR2162 PN Racing Mini-Z Center Shock Spring Set (7pcs) for adjustment
- MR2060, MR2061 or MR2063 Disk Damper System