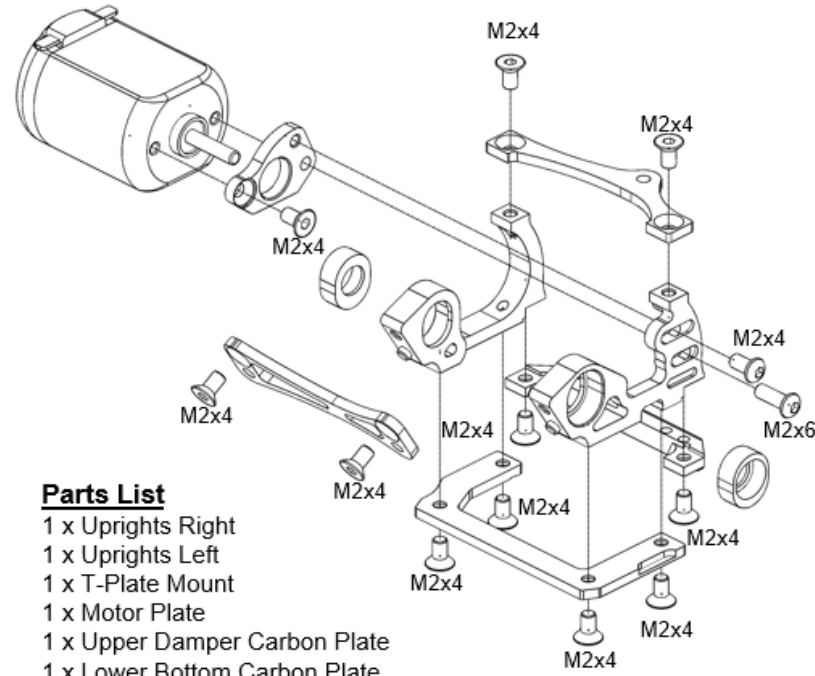


PN Racing Mini-Z V5 Low CG 98mm Motor Mount

Parts Number MR3300

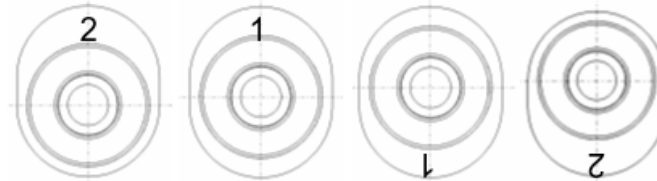


Parts List

- 1 x Uprights Right
- 1 x Uprights Left
- 1 x T-Plate Mount
- 1 x Motor Plate
- 1 x Upper Damper Carbon Plate
- 1 x Lower Bottom Carbon Plate
- 1 x Rear Axle Carbon Plate
- 1 x Button Head M2x6 Screw
- 1 x Button Head M2x4 Screw
- 10 x Countersunk M2x4 Screw

Axel Height Adjuster

(Dimension given is relative to stock ride height)



Adjuster-2 Up
Stock Height

Adjuster-1 Up
-.45mm

Adjuster-1 Down
-.9mm

Adjuster-2 Down
-1.35mm