

PN Racing Mini-Z MR02/03 93-102mm Multi Motor Mount

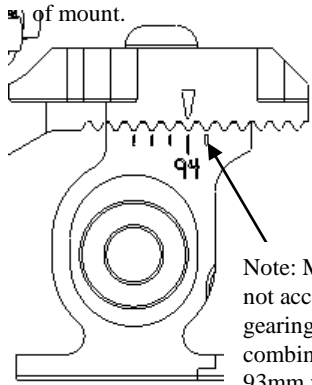
Parts Number MR2395 **Note: Not all parts shown on instruction are included depending on motor mount package.**

Features:

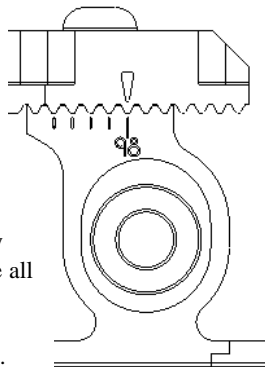
- Compatible with MR015, MR02 and MR03
- Wheelbase adjustable from 93mm to 102mm in 1mm increment. Include both 93-102mm standard width and optional parts MR2395D 98-102mm LM width Differential Carrier.
- Wheelbase adjusted with only 2 screws.
- Wheelbase adjustment does not affect gear mesh or suspension set-up. Allows quick testing of different wheelbase at the track.
- Motor drops down for adjustment without affecting suspension set-up especially on a tri-damper set-up.
- Multiple motor height positions possible for all track surfaces.
- Four ride height adjustments with 2 eccentric bearing holders.
- The ultimate motor mount. Results of years of improvement to Mini-Z motor mount designs.

Wheelbase Adjustment View looking at left side of mount

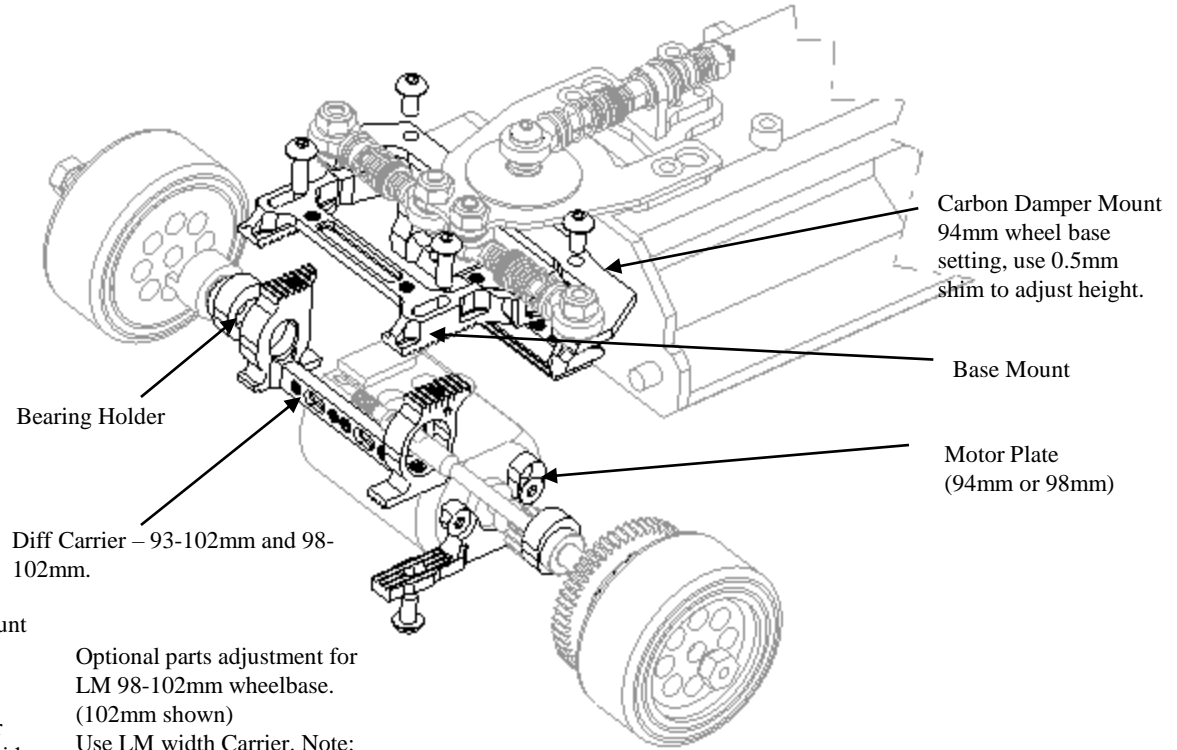
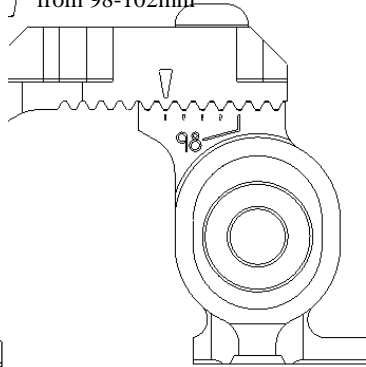
Adjustment for 93-97mm wheelbase. (94mm shown)
Position 93-102mm Carrier with "94" marking on left side of mount.



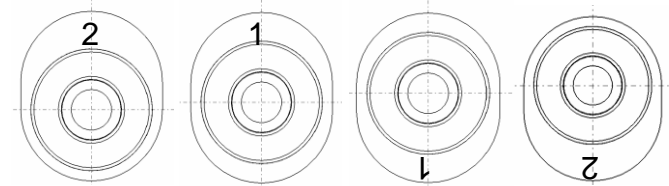
Adjustment for 98-102mm wheelbase. (98mm shown)
Position 93-102mm Carrier with "98" marking on left side of mount.



Optional parts adjustment for LM 98-102mm wheelbase. (102mm shown)
Use LM width Carrier. Note: LM Carrier can only adjust from 98-102mm



Axel Height Adjuster (Dimension given is relative to stock ride height)



Adjuster-2 Up
Stock Height

Adjuster-1 Up
-0.45mm

Adjuster-1 Down
-0.9mm

Adjuster-2 Down
-1.35mm