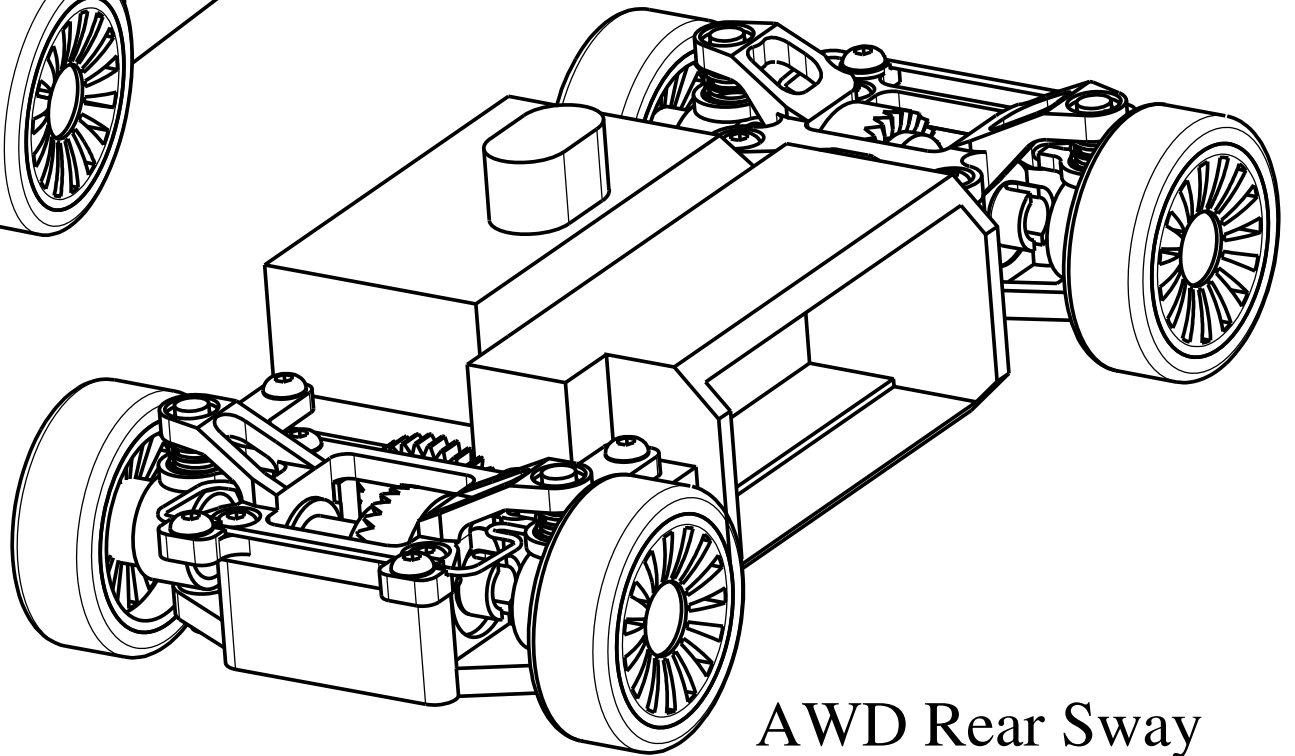
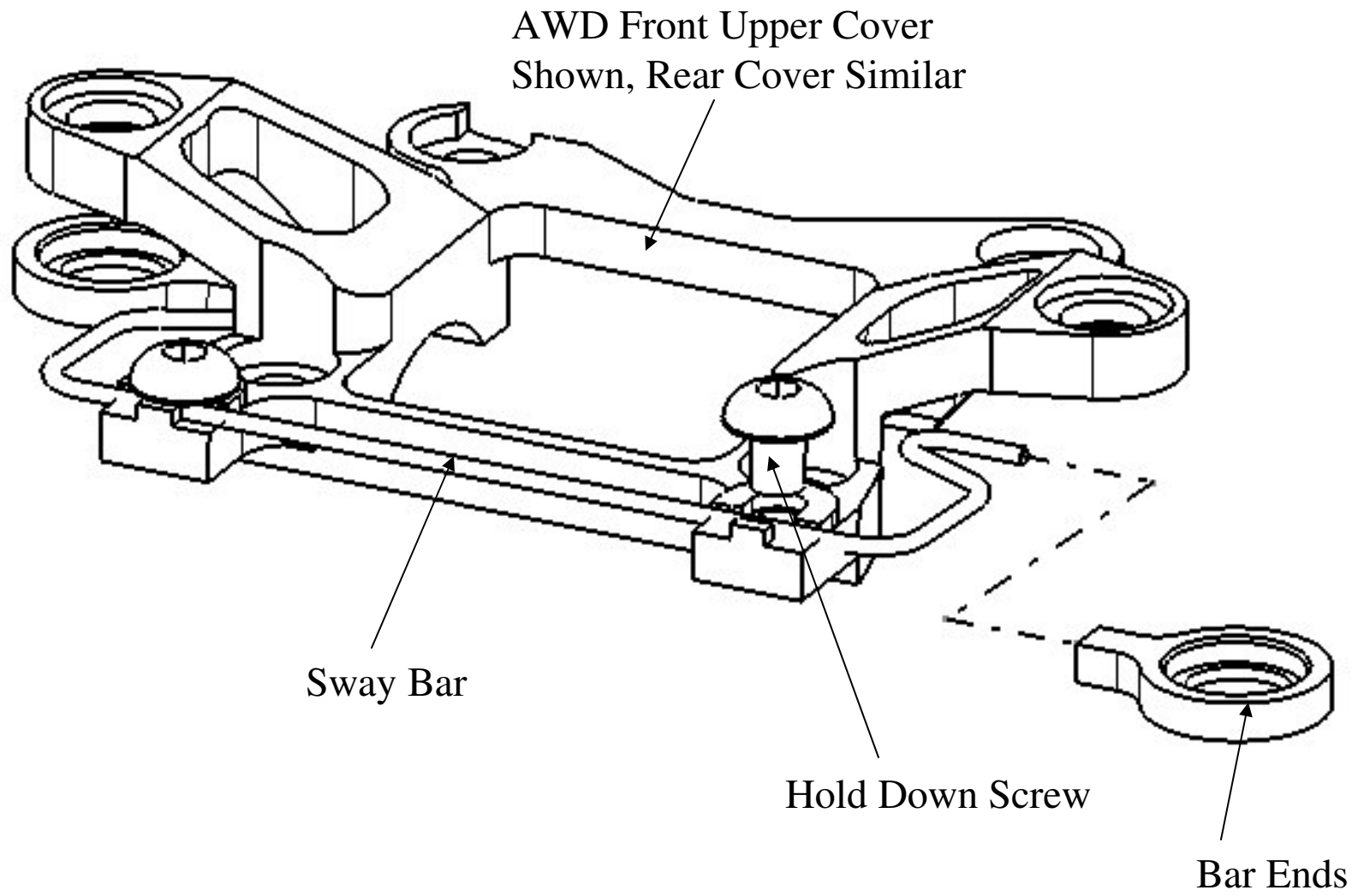


AWD Front Sway
Bar Assembly



AWD Rear Sway
Bar Assembly



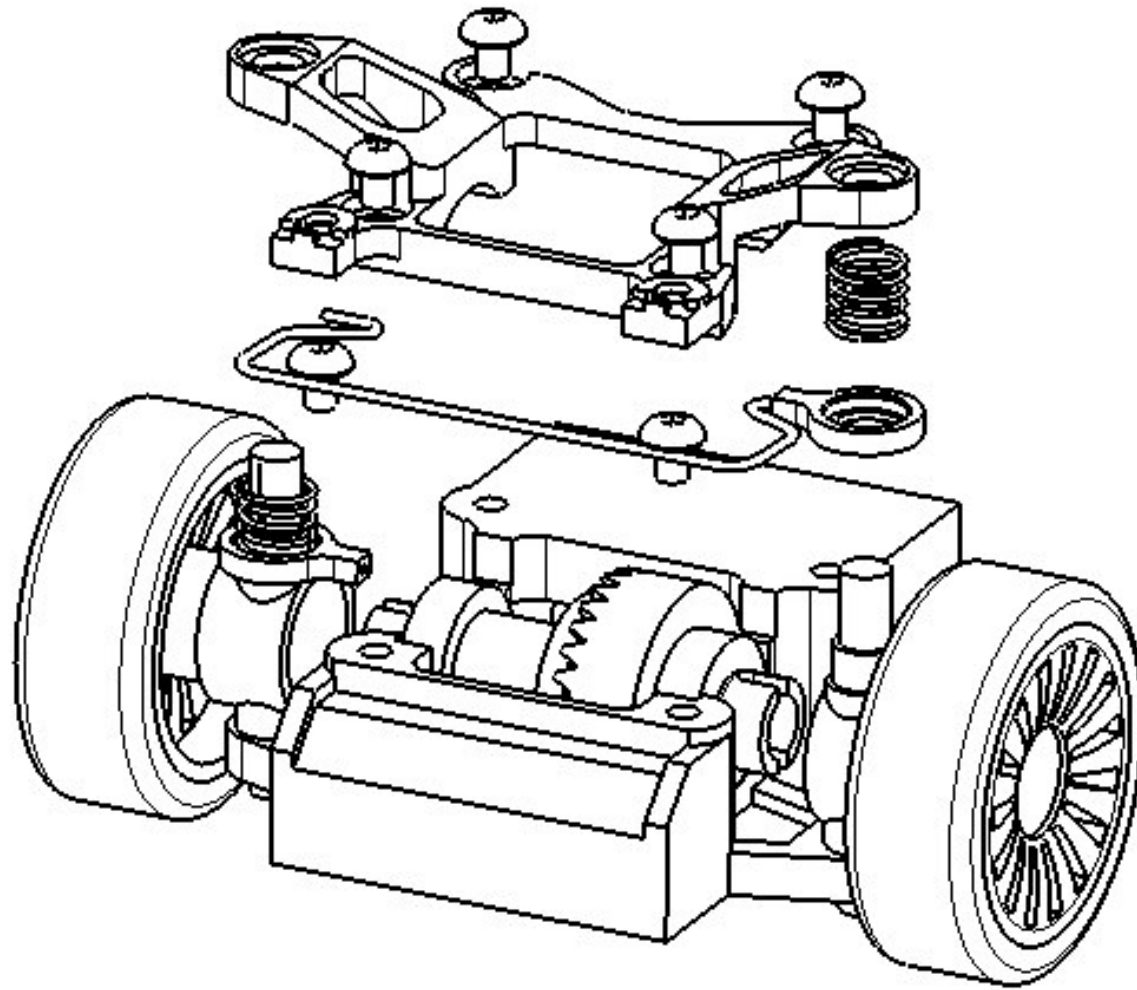
AWD Front Upper Cover
Shown, Rear Cover Similar

Sway Bar

Hold Down Screw

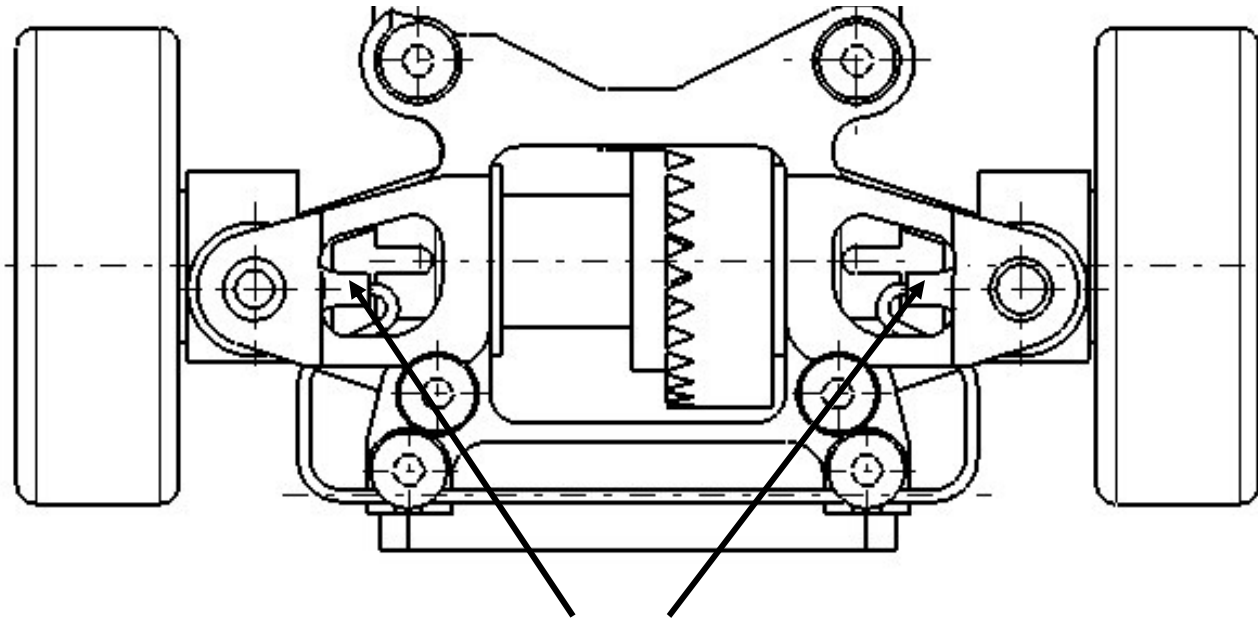
Bar Ends

Swing Bar Parts

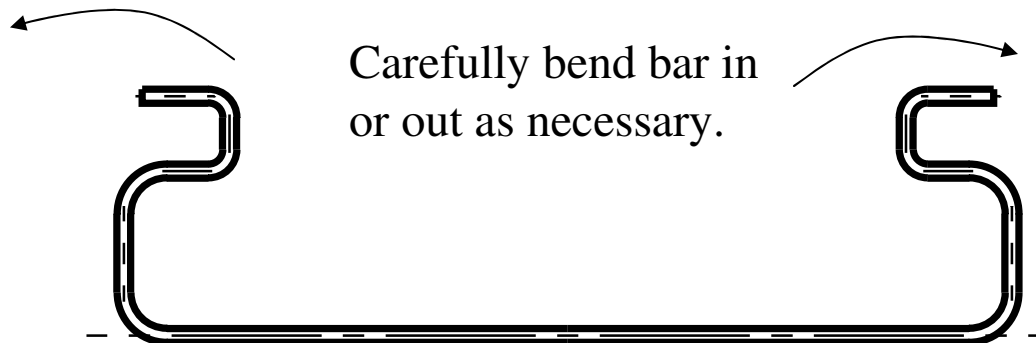


Installation Exploded View – Front Shown, Rear Similar

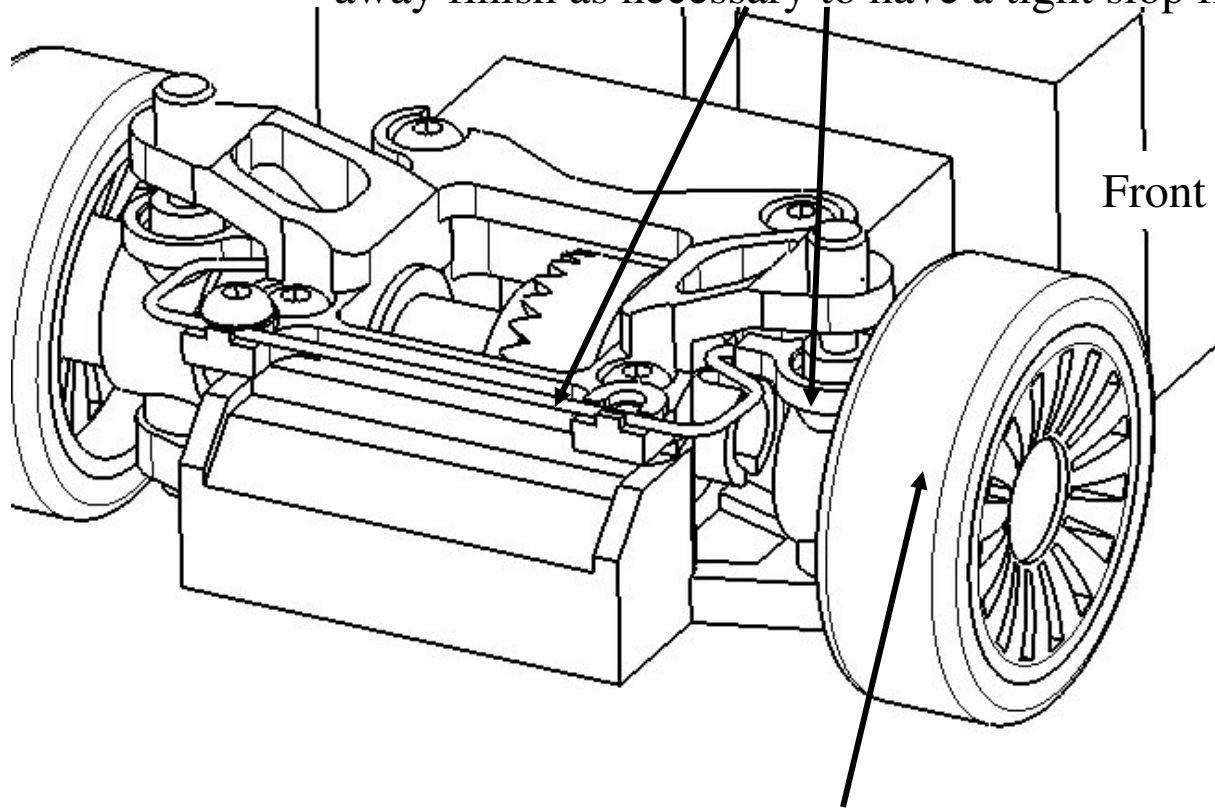
Front sway bar shown, rear similar.



Adjust swing bar as necessary to make sure roll bar has just bottomed out on the bar ends so there is no left right free play for best performance.

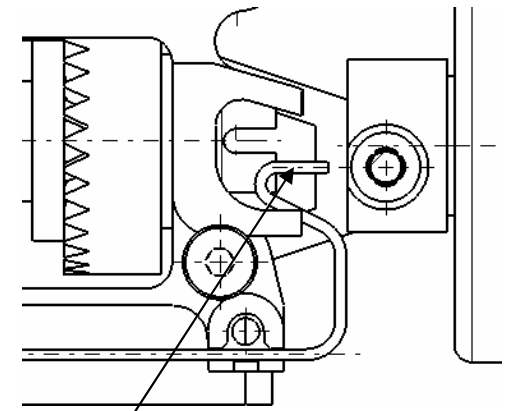


Due to tight manufacturing tolerance, sway bar may be a tight fit in the top cover groove and the bore in the bar end. Sand away finish as necessary to have a tight slop free interface.



Front shown, rear similar.

It is best to check install bar without springs. Shape bar as necessary to achieve smooth action. The ends of the sway bar should both be at the same height left and right, and pointed at the center of the steering knuckle.



Sway bar ends pointed at the center of the steering knuckle.